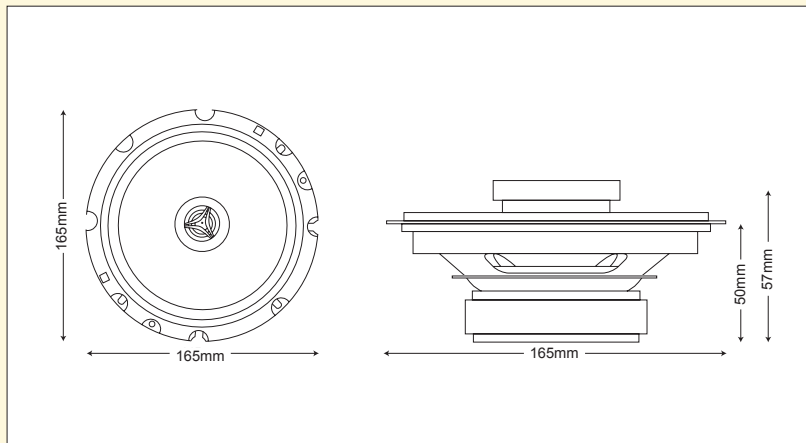


6" (165mm)

Co-axial loudspeakers SVC

Supplied in pairs. Part no. CS013

Impedance 4 ohms • Nominal 40 watts • Maximum 80 watts



6 x 4" (165 x 100mm)

Co-axial loudspeakers SVC

Supplied in pairs. Part no. CS030

Impedance 4 ohms • Nominal 40 watts • Maximum 80 watts

